

Title : Bedsheet Tensioner**Technical Field**

- 5 This invention relates to a device for tensioning a sheet over a base, for example for tensioning a bedsheet over a mattress.

Background Art

- 10 For many people the lack of smoothness in a bedsheet covering a mattress causes discomfort which can result in lack of sleep.

Bedsheet tensioners are known. One known bedsheet tensioner comprises an elastic strap adapted to be positioned under a mattress and includes fastening means for fastening
15 each end of the strap to opposing side edges of a bedsheet. The fastening means includes a first port in the form of a button provided at each end of the elastic strap for releasable fastening with a second port in the form of respective buttonholes provided in opposing side edges of the bedsheet. In use, one end of the elastic strap is fastened by its button to a respective buttonhole provided in one edge of the sheet, the strap is then positioned and
20 stretched underneath the mattress and fastened at its other end by button/buttonhole to an opposing side edge of the sheet, thereby tensioning the sheet. A plurality of straps may be used to provide relatively uniform tensioning.

Disclosure of Invention

- 25 The present invention aims to provide a useful alternative to known devices for tensioning bedsheets or the like.

The invention resides broadly in a tensioning device for bedsheets or the like comprising
30 an elongate resilient member provided with releasable fastening means at opposing ends, each releasable fastening means being adapted to releasably fasten the elongate resilient member to the material of a bedsheet by gripping the bedsheet material without any part of the releasable fastening means being included in or on the bedsheet.

- 35 The known elastic strap tensioner described above requires that the bedsheet must be provided with button holes. Thus, in order to use the known tensioner, a standard manufactured bedsheet must be modified to include buttonholes in the sheet for cooperation with the buttons of the elastic strap. This modification can be time-consuming, inconvenient and costly.

40

The known elastic strap tensioner described above requires that the bedsheet must be provided with button holes. Thus, in order to use the known tensioner, a standard manufactured bedsheet must be modified to include buttonholes in the sheet for cooperation with the buttons of the elastic strap. This modification can be time-consuming, inconvenient and costly.

However, use of the tensioner of the present invention does not require any modification of a standard manufactured bedsheet because the components or parts of the fastening means are carried solely by the tensioning device.

Any suitable form of releasable fastening means may be utilised. For example, the fastening means may comprise a base having a projection with an enlarged head and an engagement clip thereon, the clip being adapted to releasably engage the projection under the enlarged head with the cloth material of the bed sheet or the like being trapped therebetween. Optionally, the releasable fastening means may comprise a pair of jaws resiliently biased towards each other such that the jaws may grip between them the edge of a bed sheet or a portion of material within a bed sheet to tension the bed sheet as required. Such jaws may include serrations to assist with gripping of the bed sheet material. The fasteners may be made of any suitable material, such as metal, or moulded plastic.

The elongated resilient member may be of any suitable length, size and/or shape. For example, the member may be in the form of a strap adapted to extend under the width of a mattress or under a corner portion of a mattress. The elongated resilient member may be made of rubber or elasticised cloth or any other suitable resilient material such as a spring. Such a spring may be encased in a suitable material such as a cloth sleeve to prevent it attaching itself to or damaging, for example, a mattress cover or bedsheet.

30

Description Of Drawings and Best Mode for Carrying Out The Invention

In order that the invention may be more readily understood and put into practical effect, a preferred example of the invention will now be described with reference to the accompanying drawings, in which :

FIG.1 illustrates a preferred example of a tensioning device constructed in accordance with the invention ;

FIG.2 illustrates the tensioning device of Fig 1 when fastened to a bedsheet adjacent an underside corner portion of a mattress.

Referring to FIG.1 it can be seen that the bed sheet tensioning device example comprises an elongate resilient strap 1 comprised of an elasticised cloth strap having loops 2 and 3 at respective ends thereof. The loops 2 and 3 are formed by sewing the strap at locations 4 and 5 respectively, after the loops have been passed through elongate slots 6 and 7 provided in end fastener assemblies 8 and 9 respectively.

The end fastener assembly 8 comprises essentially a planar base 10 having at one end a slot 6 substantially transverse to the direction of elongation of the planar base 10 and at the other end a substantially mushroom shaped projection 11. The projection 11 comprises a stalk portion 12 and a head 13. A wire clip 14 is pivotally mounted to a projection 15 on the base 10 and includes a loop portion 16 to provide a loose fit over the head 13 of the projection 11. When a sheet of cloth is placed between the clip 14 and the planar base 10 the extra thickness of the cloth over the projection 11 causes the loop portion 16 to have an interference fit with the head 13 thus enabling gripping and releasable retention of the cloth of the bed sheet to the end fastener assembly.

A similar end fastener assembly is provided at the other end of the resilient strap 1.

FIG.2 shows the bed sheet tensioning device in use. It can be seen that a mattress 20 is covered by a standard bedsheet 21. The tensioning device is positioned under a corner portion of the mattress and fastened at one of its ends to a bedsheet side edge 22 and fastened at its other end to an adjacent bedsheet side edge 23.

By the use of four bed sheet tensioning devices of this type the sheet may be tensioned at four corners of the bed mattress. The standard sheet as a whole will then be held firmly in position, the likelihood of rumpling of the sheet will be reduced, and the bed should be more comfortable to sleep on.

30

35

40

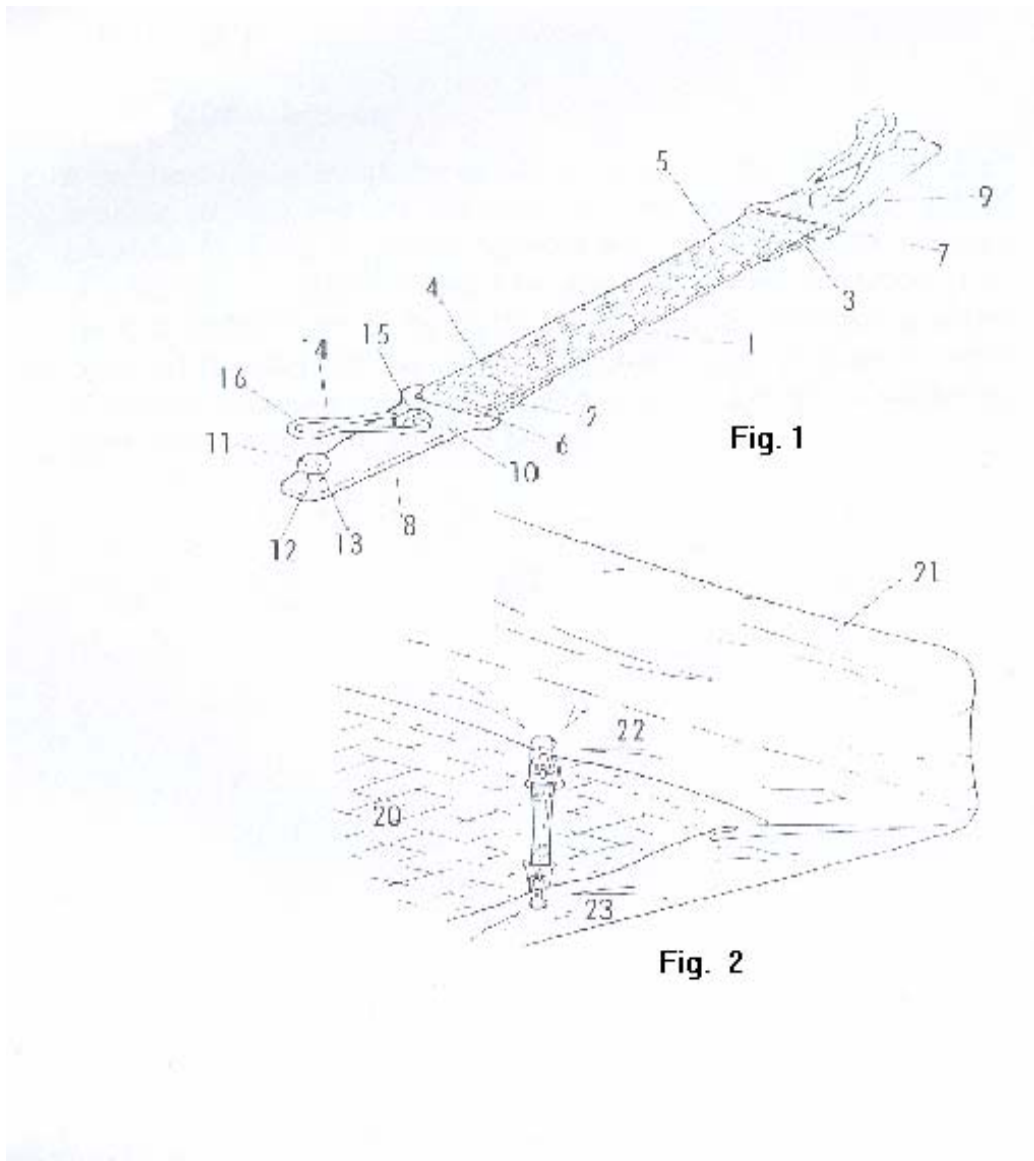
CLAIMS:

1. A tensioning device for bedsheets or the like comprising an elongate resilient member (1) provided with releasable fastening means (8,9) at opposing ends, each
5 releasable fastening means being adapted to releasably fasten the elongate resilient member to the material of a bedsheet by gripping the bedsheet material, characterised in that no part of the releasable fastening means is included in or on the bedsheet.
2. The device of claim 1 characterised in that each of the releasable fastening means
10 comprises a base (10) having a projection (11) with an enlarged head (13) and an engagement clip (14) for engagement therewith, the clip adapted to engage the projection under the enlarged head with the material of the bedsheet therebetween such that the fastener is engaged with the bed sheet.
- 15 3. The device of claim 1 characterised in that the releasable fastening means comprise a pair of jaws resiliently biased towards each other.
4. The device of claim 3 characterised in that the fastener's jaws include serrations to assist in gripping the bed sheet.
20
5. The device of anyone of claims 1 to 4 characterised in that the elongate resilient member includes encased spring means.
6. The device of anyone of claims 1 to 4 characterised in that the elongate resilient
25 member is in the form of an elasticised cloth strap.

30

35

40



ABSTRACT

Title - Bedsheet Tensioner

5 A bedsheet tensioner includes an elastic strap (1) with a fastener (8,9) attached on each
end. The fasteners (8,9) include a mushroom shaped projection (11) and a pivotally
mounted wire clip (14). When the edge of a bed sheet is placed between the clip (14) and
the projection (11), the loop portion (16) of the clip is pressed over the head of the
10 projection (13) to firmly grip the sheet. A tensioner can be positioned at each of the four
underside corners of a bed mattress to secure a standard bed sheet firmly in position on
the mattress.

15

20

25

30

35

40