



“PATENT D.I.Y.”

A GUIDE:

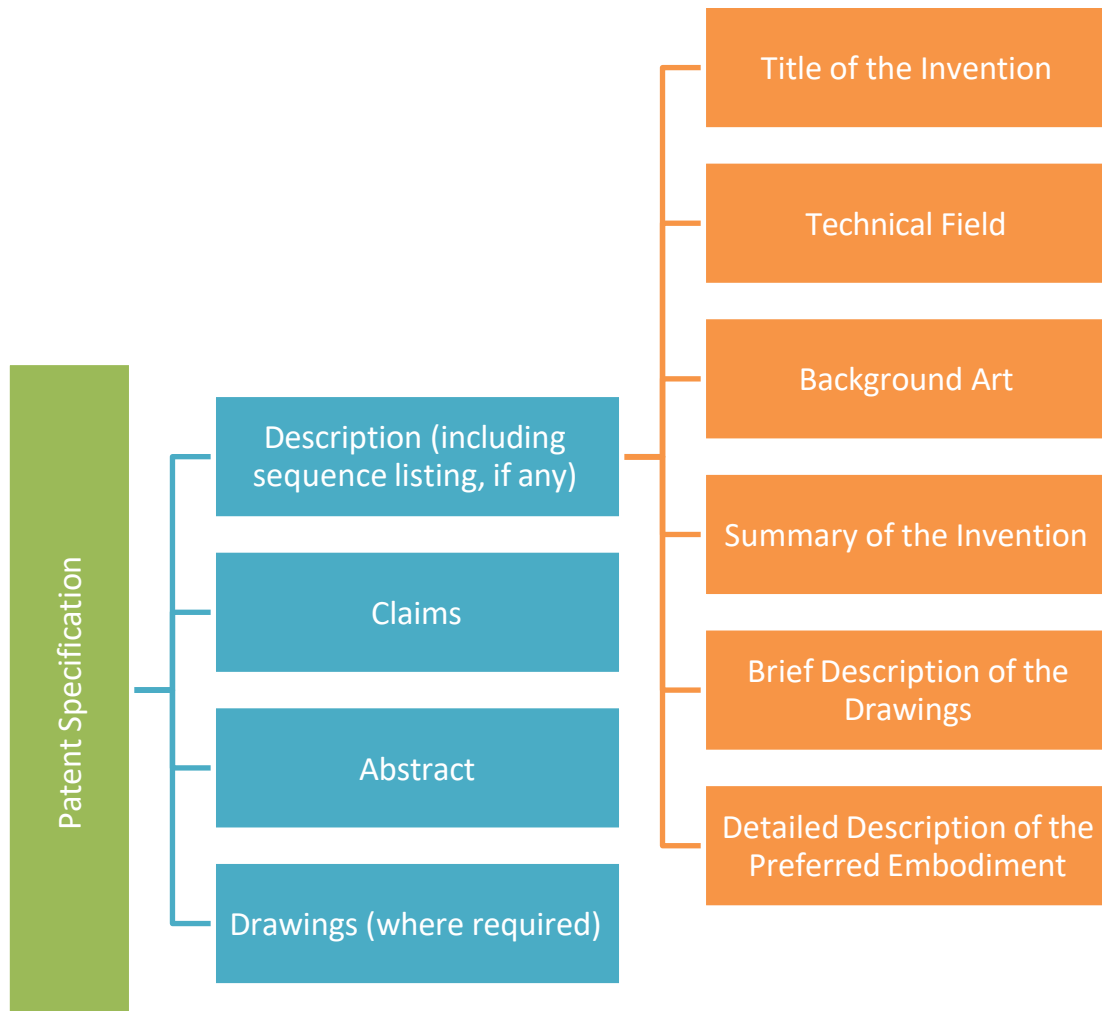
HOW TO PREPARE A PATENT SPECIFICATION

“PATENT D.I.Y” A GUIDE: HOW TO PREPARE A PATENT SPECIFICATION provides an overview of contents of a patent specification*. This guide aims to assist inventors to prepare a complete specification for a simple invention according to a standard requirement. This guide is not meant for drafting a complex patent application. Thus, it is highly recommended for inventors either to attend patent drafting courses or contact a patent agent or qualified person for professional assistance before filing a patent application.

** Specification is a term used to refer to the Description, Claims, Abstract and Drawings of this guide which reflect as part of requirements for a patent application. However, there the term “specification” is not a statutory term in the Malaysian Patent Acts 1983 (Act 291) and Regulations.*

1. INTRODUCTION

A complete specification consists of the following components: -



The specification should be drafted properly and complies with the requirement of the Patents Act.

A complete sample of patent specification entitled "A Toothbrush" is attached.

Patent Specification

Description (including sequence listing, if any)

The description must explain your invention fully at the time of filing because information cannot be added later. A patent will not be granted if your description does not contain sufficient information to enable others to construct or perform your invention. The Description is generally divided into a few subcomponents which are:

1. Title of the Invention
2. Technical Field
3. Background Art
4. Summary of the Invention
5. Brief Description of the Drawings
6. Detailed Description of the Preferred Embodiment

Title of the Invention

It should be noted that the title must indicate clearly and concisely the subject matter of the invention. For example, "A TOOTHBRUSH" as the title of the invention.

Technical Field

This part should describe the art or technology to which the invention relates. It should be noted that the chosen title and the technical field should be consistent with the preamble (function or purpose of the invention) of the independent claim.

Several suggestions would be (choose one):

1. The present invention relates generally to ... (explain function or purpose

of the invention)

2. The present invention relates generally to particularly
3. The present invention relates generally to ... More particularly, this invention relates to

NOTE

In this part, it is advisable not to include any statement that relates to any advantages or the inventive concept of the invention. All the advantages will be discussed in the subcomponent "Detailed Description of the Preferred Embodiment".

For example:

The technical field would be:

- The present invention relates generally to a disposable toothbrush.
- The present invention relates generally to a toothbrush particularly to a disposable toothbrush.
- The present invention relates generally to a toothbrush. More particularly, this invention relates to a disposable toothbrush.

Background Art

This part should describe any prior art which can be useful for the understanding of the invention by discussing any disadvantages or problems with the prior art.

Several suggestions would be (choose one):

4. There has been various types of One of the prior arts discloses Another prior art discloses
5. One type of known Another type of known

For example:

Describes briefly several relevant features of Toothbrush A and Toothbrush B in two short paragraphs by also stating their disadvantages.

NOTE:

It is advisable not to include any statement that relates to the advantages of the invention. All the advantages will be discussed in the subcomponent “Detailed Description of the Preferred Embodiment”.

Summary of the Invention

This part will explain the solution by the invention and the advantageous effects of the invention compared to the stated prior art. It is usually a repetition of the broadest claim (which is the independent claim) and then maybe several dependent claims.

NOTE:

In preparing a patent specification, it is advisable to start with drafting the claims first then followed by other subcomponents.

A suggestion would be:

- According to the present invention, (usually the independent claim).
- In an embodiment of the invention, the (usually the dependent claim).

In this part, inserts all the claims accordingly to the above suggestions by constructing them in comprehensive sentences.

Brief Description of the Drawings

In this part, a series of relevant figures from different views are listed down together with a brief explanation in one short sentence.

It is a good practice to start with a figure which shows the overall overview of the preferred embodiment and then followed by figures which show more details of relevant parts of the preferred embodiment.

Several suggested views that may be included are the perspective view, plan/ top view, front view, side view, exploded view, rear view and cross-sectional view.

In this part, arrange the figures starting with the overall view of the toothbrush followed by the figure showing how it is operated and then, the details of the relevant parts of the toothbrush.

A suggestion would be:

For a better understanding of the nature and objects of the invention, reference should be made to the following detailed description taken in connection with the accompanying drawings forming a part of this specification and in which similar numerals of reference indicate corresponding parts in all the figures of the drawings.

Figure 1 shows a perspective view of the preferred embodiment.

Figure 2 shows a side view of the

Figure 3 shows a cross sectional view of the preferred embodiment by the section line 2-2 in Figure 1.

Figure 4 shows an exploded view of the elements comprised in the preferred embodiment.

NOTE:

Avoid by stating "a perspective view of the invention". Instead, use "a perspective view of the preferred embodiment".

Detailed Description of the Preferred Embodiment

This part should describe the embodiment of the invention accordingly by referring to the listed drawings as above.

The explanation:

- i. must describe the technical features of the preferred embodiment in a great detail and the interconnection with each other;
- ii. must also include on how the preferred embodiment is operated.

NOTE

Embodiments mean different variations of the same inventive concept. They are used in the description and claims to maximized the scope of protection claimed in the patent i.e. an embodiment is an example of the invention.

In addition, if the invention consists of several other embodiments, the explanation should then continue describing the technical features of each of the embodiments in detail together with its operation.

It is a good practice at the end of this part to emphasize the advantages of the invention.

A suggestion would be:

Referring to Figure 1

Figure 2 shows

Figure 3 shows

While particular example of the present invention has been shown and described, it is apparent that changes and modifications maybe made therein without departing from the invention in its broadest aspect. The aim of the appended claims, therefore, is to cover all such changes and modifications which fall within the scope of the invention.

It should be noted that, each of the technical features in this part must be followed by reference number accordingly. It is a good practice to:

- i. start with either two (2) digit reference number (20, 22, 24 etc.) or three (3) digit reference number (110, 112, 114 etc.);
- ii. choose only to use even numbering (20, 22, 24, 26 etc.) or odd numbering (21, 23, 25, 27 etc.) as the reference number.

Let say, we choose only odd numbering as the reference numbers for the technical features of the invention. If at a later stage, several reference numbers need to be added, any even number between two related odd numbers may be used without having to renumber the technical features.

In this part, by referring to the features table as an example, the two (2) digit odd numbering has been chosen starting with number 11.

<i>Toothbrush 11</i>	
<i>Brush head 13</i>	▶ <i>passageway 15</i>
	▶ <i>bristles 17</i>
	▶ <i>at least an openings 19</i>
	▶ <i>threaded spout 21</i>
<i>Elongated cartridge 23</i>	▶ <i>separator 25</i>
	▶ <i>toothpaste segment 27</i>
	▶ <i>water segment 29</i>
	▶ <i>threaded sleeve 31</i>
	▶ <i>stopper 33</i>
	▶ <i>rigid arm 35</i>
	▶ <i>end wall 37 (optional)</i>

Explain all preferred embodiments of the invention in great detail by emphasizing the relevant technical features together with their reference numbers, their connections, their operations and also the advantages of the invention.

Claims

Claims are important because they determine the scope of the monopoly given by a patent.

Claims must:

- i. define the subject matter of the invention that the applicant intends to protect.
- ii. be clear and concise.
- iii. be fully supported by the description i.e. the technical features in the claims must have been described earlier in the description.

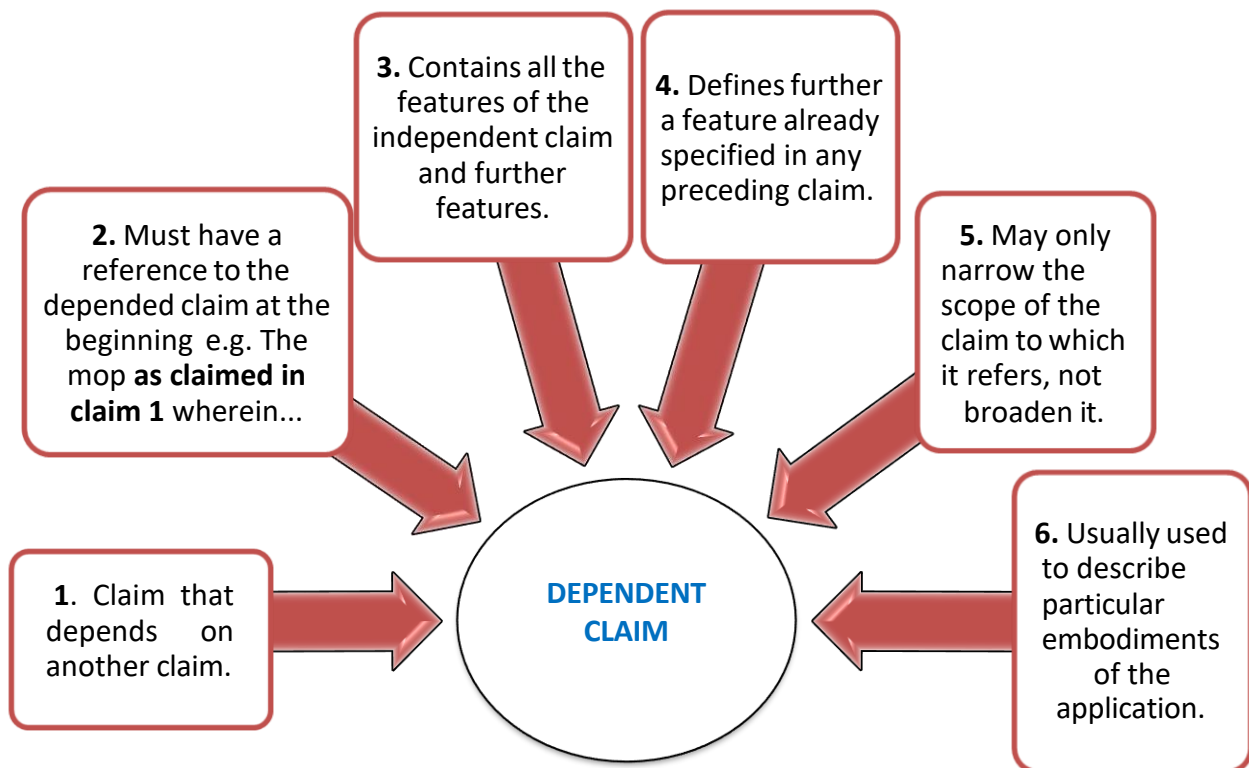
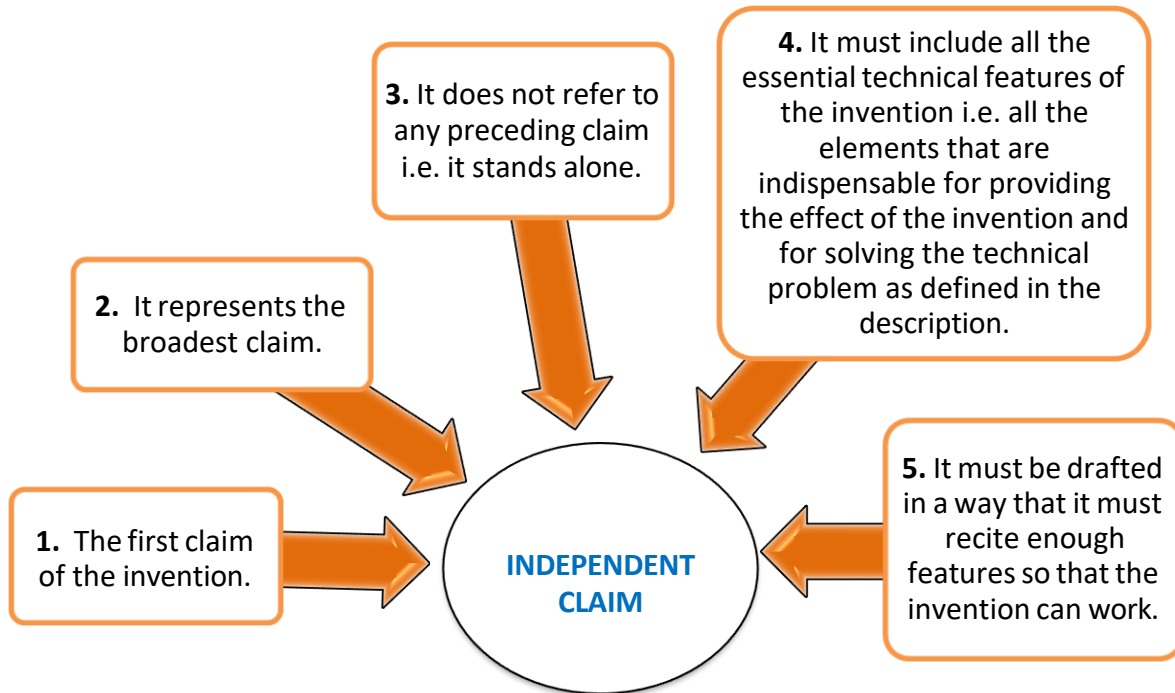
The claims must particularly point out the subject matter which the applicant regards as invention. The purpose for this requirement is to ensure that the scope of the claim is clear so that other people can understand the boundaries of the protection provided by a patent.

The clarity of the claims is of the utmost importance in view of their function in defining the matter for which protection is sought. Therefore, the meaning of the terms of a claim should, as far as possible, be clear for the person skilled in the art/technology from the wordings of the claim alone.

The description and the claims should be consistent, otherwise it may render the claim unclear or unsupported.

The claims must be drafted in terms of the technical features of the invention. This means that claims should not contain any statements relating, for example, to commercial advantages or other non-technical matters, but statements of purpose should be allowed if they assist in defining the invention. Each of the technical features must also be followed with the same reference numbers of the technical features in the description and drawings accordingly and the reference numbers are placed between parentheses.

Patent claims usually consist of at least one independent claim and a few dependent claims.



Abstract

An abstract is a summary of the invention. The purpose of the abstract is to help the reader to know what the invention is all about. The abstract should indicate the technical field of the invention, explain clearly how to understand the technical problem, the solution of the problem and the principal use of the invention.

The abstract must be in a one single paragraph and is recommended to consist of only up to 150 words. The abstract is often based on the independent claim but this is not always helpful.

In addition, each of the technical features in the abstract must also be followed with the same reference numbers of the technical features in the description and drawings accordingly and the reference numbers are placed between parentheses. Further, the abstract must also be accompanied by the most relevant figure in the drawings.

Drawing (where required)

After completing the description of the invention prepare another component of the patent specification which is the drawings.

It is a good practice to start with a figure which shows the overall overview of the preferred embodiment and then followed by figures which show more details of relevant parts of the preferred embodiment.

Further, each of the technical features in the drawings must also be followed with the same reference numbers of the technical features in the description accordingly.

Besides that, it is advisable to label the technical feature defined in the technical field of the invention with an arrow while other technical features without arrow.

For example, in this part:

- i. first, follow the arrangement of the figures where the overall overview of the toothbrush is Figure 1, followed by a figure showing its operation as Figure 2 and a design of a stopper with a rigid arm as Figure 3;
- ii. second, label the toothbrush (the technical feature defined in the technical field of the invention) with an arrow while other technical features without any arrows.

2. GENERAL FORMALITY REQUIREMENT FOR SPECIFICATION

Specification documentations need to meet the formality requirements as follows:

- i. all sheets shall be numbered at the top of the sheet and in the middle, in consecutive Arabic numerals [1, 2, 3, 4,].
- ii. every fifth line of each sheet of the description, claims and the abstract shall be numbered [5, 10, 15, 20,].
- iii. the minimum margins of sheets shall be 2cm.
- iv. each part of specification namely the Description, Claims, Abstract, Drawings is preferably starts with a new page.

3. PATENT / UTILITY INNOVATION APPLICATION

Preparation before getting started:

- i. prepare all the documents: Form 1 or Form 14, Form 17 (if any), Form 22 (if any) and the specification.
- ii. for online filing prepare all documents in digital format. All parts of specification should be prepared in separate files and to be uploaded individually. Please ensure that your attachments are in these formats: DOC, PDF or TIF.

iii. fee for respective forms is shown in the table below:

MATTERS OR PROCEEDINGS	FEES	FORMS
Request for grant of patent	290.00	Form 1
Claim(s)		
<ul style="list-style-type: none"> for 1st ten claims 	Nil	
<ul style="list-style-type: none"> for eleventh to twentieth claims (per claim) 	20.00	
<ul style="list-style-type: none"> for twenty-first to thirtieth claims (per claim) 	30.00	
<ul style="list-style-type: none"> for thirty-first to fortieth claims (per claim) 	40.00	
<ul style="list-style-type: none"> for forty-first claims onwards (per claim) 	50.00	
Application for grant of certificate of utility innovation*	140.00	Form 14
Appointment or change of Agent	100.00	Form 17
Statement Justifying the Applicant's Right to A Patent/Certificate	100.00	Form 22

* For utility innovation application **only one claim** is allowed in Malaysia.

INSERT YOUR TITLE HERE

TECHNICAL FIELD

5

The present invention relates generally to a disposable toothbrush.

[Tip: Describe the art or technology to which the invention relates.]

10

BACKGROUND ART

15

One type of known disposable toothbrush includes a toothbrush which comprises of a brush head to support the bristles of the brush and a hollow handle for toothpaste. During its operation...

[Tips: 1) Describe any prior art which can be useful for the understanding of the invention.

20

2) Discuss the disadvantages and problems with the prior art.

3) The document no. of the prior art e.g. Patent No. US-A..... can be included.]

25

SUMMARY OF THE INVENTION

According to the present invention, there is provided a toothbrush for brushing teeth comprising a brush head having a plurality of bristles and...

30

[Tips: 1) Explain the solution by the invention on the problem mentioned in the "Background Art".

2) State the advantageous effects of the invention compared to the prior art.]

35

40

BRIEF DESCRIPTION OF THE DRAWING

For a better understanding of the nature and objects of the invention,

5 reference should be made to the following

Figure 1 shows an exploded view of the preferred embodiment ...

Figure 2 shows a side view of the ...

Figure 3 shows a side view of ...

10 *[Tip: Briefly describe each figure in the drawings in one short sentence.]*

DETAILED DESCRIPTION OF PREFERRED EMBODIMENT

15

1. Describe the technical features of the preferred embodiment in a great detail and the interconnection with each other.

- *If the invention has a few embodiments, choose the most preferred or most basic embodiment to be the first embodiment.*
- 20 • *Start by describing the main parts of the first embodiment i.e. in this case the main parts are a brush head 13 and an elongated cartridge 23 and explain how they're interconnected.*
- *Then continue by describing each main part and all of the sub or component parts in detail e.g. for explaining the first part a brush head 13, the second part the elongated*
- 25 *cartridge 23 and a closed valve 33, 35 are being described.*
- *Be sure to detail all the interconnections or mountings between parts.*

2. How it operates.

30

- *Explain the operation or the function of the first embodiment in extensive detail after describing the technical feature of the first embodiment.*
- *In doing this, refer to each part by its name and reference numeral and be sure to include the working or function of every part.*
- *At the end of this part, emphasize the advantages of your invention*

35

40

3. Alternative embodiment.

- *Continue describing each alternative embodiment after fully describing the technical feature and operations of the first embodiment.]*

5

[Tips: Describe embodiment(s) of the invention preferably by referring to the drawings (if any). The embodiment must be described in terms of its technical features (i.e. the physical element of the embodiment) and also on how it operates.

10

15

20

25

30

NOTE: MEASURES, TERMINOLOGY AND SIGNS

- *Units of weight, measures and density must be expressed in metric system.*
- 35 ▪ *Temperature must be expressed in degrees Celsius.*
- *Heat, energy, light, sound, magnetism, mathematical formulae & electrical units may use the rules of international practice e.g. decibel for measuring sound.*
- *Only technical terms, signs and symbols which are generally accepted in the field in question should be used e.g. piston in the field of internal combustion engine.*
- 40 ▪ *The terminology and signs shall be consistent throughout the specification.*

CLAIMS:

- 1. A toothbrush (11) for brushing teeth comprising:
a brush head (13);
5 an elongated cartridge (23) ...
Wherein/characterized by.....
[Tip: Independent claim does not refer to any other claim i.e. it stands alone.]

- 2. The toothbrush (11) as claimed in claim 1, wherein ...
10 *[Tip: Dependent claim 2 depends on claim 1.]*

- 3. The toothbrush (11) as claimed in claim 2, wherein ...
[Tip: Dependent claim 3 depends on claim 2.]

- 15 4. The toothbrush (11) as claimed in any one of the preceding claims,
whereby...
[Tip: Multi dependent claim 4 depends on any one of claims 1, 2 and 3.]

20

25

30

35

40

ABSTRACT
INSERT YOUR TITLE HERE

5 The present invention relates generally to a disposable toothbrush and more particularly to a disposable toothbrush with...

[Tips: An abstract is a summary of the invention.

1) *Indicate the technical field of the invention.*

2) *Explain the technical problem in the prior art.*

10 3) *Describe the solution of that problem through the invention.*

4) *Explain the principal use of the invention.]*

(Most illustrative figure: Fig. 1)

15 *[Tips: The abstract shall be accompanied by the most relevant drawing.]*

20

25

30

NOTE:

- 35
- *Not more than 150 words.*
 - *Each technical feature must be followed by the reference numeral used in the drawing and placed between parentheses.*
 - *Must not contain statements on the alleged merits or value of the invention or on its speculative application e.g. the mop is high in quality and guaranteed to last for a very*
- 40
- *long time.*
 - *It must constitute efficient information for the purposes of prior art searching.*

Figure 1

Figure 2

A TOOTHBRUSH

5 TECHNICAL FIELD

The present invention relates generally to a disposable toothbrush.

10 BACKGROUND ART

One type of known disposable toothbrush includes a toothbrush which comprises of a brush head to support the bristles of the brush and a hollow handle for toothpaste. During its operation, by squeezing the side wall of the
15 hollow handle, particularly at the area of pumping will cause a small portion of the toothpaste to flow from the hollow handle to the passageway of the brush head through the passageway entrance and then, directly being dispensed onto the bristles through the opening. However, the hollow handle does not contain any water as a mouthwash after brushing the teeth.

20

Another type of known disposable toothbrush comprises of two separate parts which are a brush head and a hollow handle. The brush head is provided with bristles, an opening to allow the distribution of toothpaste and a threaded sleeve in one end. The opening which extends from the base of the bristles through
25 the brush head is designed to have a seal puncturing end at its one end. Besides, the hollow handle contains toothpaste portion and water portion as a mouthwash and being separated by a separator in between. Further, the hollow handle has a threaded spout at one end and a breakable tapered tip at its other end. A sealing membrane closes off the end of the toothpaste portion of the
30 hollow handle. During its operation, when the hollow handle is rotated relatively to the brush head, the threaded spout will cause the seal puncturing end of the opening to cut the seal of the sealing membrane and by merely squeezing the side wall of the toothpaste portion, it will cause the toothpaste to dispense onto the bristles. When the brushing action is completed, the user needs to reverse
35 the handle and bites the tip to drain the water directly into his mouth for oral rinse. However, it is quite difficult to control the amount of usage of toothpaste or water which may lead to waste and spillage.

SUMMARY OF THE INVENTION

5 According to the present invention, there is provided a toothbrush for brushing teeth comprising a brush head having a plurality of bristles and at least an opening between the bristles, an elongated cartridge extending from the brush head for storing material and having a flexibly resilient wall portion and a passageway which connects the elongated cartridge with the opening wherein the elongated cartridge further comprising a normally closed valve within the
10 elongated cartridge which normally closes the passageway such that pressing the flexibly resilient wall portion of the elongated cartridge will open the normally closed valve to allow the material to flow from the elongated cartridge to the passageway through the opening upon the bristles.

15 In an embodiment of the invention, the elongated cartridge is an interchangeable cartridge.

In an embodiment of the invention, the normally closed valve includes a stopper and a rigid arm whereby pressing the flexibly resilient wall portion of the
20 elongated cartridge will bring the flexibly resilient wall portion into a contact with the rigid arm and thereby pushing the stopper backwardly out of the way.

In an embodiment of the invention, the stopper is in an L-shaped having a base and an upstanding portion and the rigid arm which is secured thereto extends
25 from the upstanding portion of the stopper.

In an embodiment of the invention, the brush head further having an externally threaded spout at one end of the body and the elongated cartridge further having an inwardly extending threaded sleeve at both ends, whereby rotating
30 the brush head relatively to one end of the elongated cartridge will thus engaging the elongated cartridge firmly to the brush head.

In an embodiment of the invention, the valve normally bears against the end of the threaded sleeve at both ends of the elongated cartridge.

5 In an embodiment of the invention, the elongated cartridge further having a pair of central compartments which is a combination of toothpaste segment and water segment.

10 In an embodiment of the invention, the toothpaste segment and the water segment is separated by a separator as an intermediate partition.

In an embodiment of the invention, the elongated cartridge when connected to the brush head constitutes a handle for manipulating the brush head.

15 **BRIEF DESCRIPTION OF THE DRAWING**

For a better understanding of the nature and objects of the invention, reference should be made to the following detailed description taken in connection with the accompanying drawings forming a part of this specification and in which
20 similar numerals of reference indicate corresponding parts in all the figures of the drawings.

Figure 1 shows an exploded view of the preferred embodiment of a toothbrush.

25 Figure 2 shows a side view of the toothbrush showing how the toothbrush is operated.

Figure 3 shows a side view of a stopper with a rigid arm comprised in the preferred embodiment.

30

35

DETAILED DESCRIPTION OF PREFERRED EMBODIMENT

5 Referring to Figure 1, the illustrated toothbrush 11 composes of two parts which are a brush head 13 and an elongated cartridge 23.

The first part, a brush head 13 is a plastic body which is hollow and having a central passageway 15 within it. It comes with plurality of bristles 17 upon one
10 side of the body and a plurality of openings 19 provided on the same side with the bristles 17 and located between the tufts of the bristles 17. The openings 19 provide communication between the passageway 15 and the outer side of the body. A hollow, externally threaded spout 21 is formed at one end of the body and provides a communication between the passageway 15 and the
15 elongated cartridge 23.

The second part, the elongated cartridge 23 is designed as an elongated cylindrical member made of flexible resilient wall portion, preferably polypropylene.

20

The elongated cartridge 23 has a pair of central compartments to store material which a combination of toothpaste segment 27 and water segment 29 and are separated by a separator 25, as an intermediate partition. Each of the compartment has an identical end wall 37 having an inwardly extending
25 threaded sleeve 31.

A normally closed valve 33, 35 is located within each of the compartments, which will act as a controller of the elongated cartridge 23 and is closed relative to the threaded sleeve 31. As in Figure 3, the valve includes a stopper 33 which
30 is designed as a flexible L-shape stopper 33 which normally bears against the end of the threaded sleeve 31 as being in its closed position. The stopper 33 further includes a rigid arm 35 which is secured thereto.

During operation as in Figure 2, a person may merely attach the brush head 13
35 to either end of the elongated cartridge 23 by rotating the brush head 13

relatively to the elongated cartridge 23. When then brush head 13 and the elongated cartridge 23 are engaged, the user may simply depress the side wall of the elongated cartridge 23. This will cause the rigid arm 35 to deform inwardly and thereby pushing the stopper 33 backwardly out of the way which causes the stopper 33 to be opened up. This will allow the passage of the toothpaste or the water through the spout 21 into the passageway 15, then outwardly through openings 19 and upon the bristles 17. When the finger pressure is released, the stopper 33 will automatically close over the end of the threaded sleeve 31 to its normal position.

5

10

This toothbrush 11 is a very practical item because it can be used for a couple of times a day. It does not require recapping after it is used even though there is still remaining toothpaste inside the elongated cartridge 23. The valve 33, 35 which is always in a closed position will prevent the toothpaste from hardening unless during operation.

15

Besides that, by having a valve 33, 35 inside the elongated cartridge 23, the user can control the amount of usage. For example, by applying a little pressure in the water segment 29 of the elongated cartridge 23 that causes the valve 33, 35 to open up, the user may soften the toothpaste on bristles. This may induce the extraction of bubble to make the brushing of teeth easier and enjoyable thus avoiding any friction and pain. Besides, after brushing, the water may be discharged directly into the user's mouth by just squeezing the water segment 29.

20

25

In addition, if an elongated cartridge 23 is dispensed form the brush head 13, a second elongated cartridge 23 can be used subsequently to the used brush head 13. Therefore, it is possible to market the brush head 13 with several elongated cartridge 23.

30

In addition, the entire combination 11 may be made of suitable inexpensive plastic material that in several situations, it may be used only once and then be disposed of after usage.

While particular example of the present invention has been shown and described, it is apparent that changes and modification maybe made therein without departing from the invention in its broadest aspect. The aim of the appended claims, thereof, is to cover all such changes and modifications which

5

fall within the scope of the invention.

CLAIMS:

1. A toothbrush (11) for brushing teeth comprising:
5 a brush head (13) having a plurality of bristles (17) and at least an opening (19) between the bristles;
an elongated cartridge (23) extending from the brush head (13) for storing material and having a flexibly resilient wall portion; and
10 a passageway (15) which connects the elongated cartridge (23) with the opening (19);
wherein the elongated cartridge (23) further comprising a normally closed valve (33, 35) within the elongated cartridge (23) which normally closes the passageway (15) such that pressing the flexibly resilient wall
15 portion of the elongated cartridge (23) will open the normally closed valve (33, 35) to allow the material to flow from the elongated cartridge (23) to the passageway (15) through the opening (19) upon the bristles (17).
2. The toothbrush (11) as claimed in claim 1, wherein the elongated
20 cartridge (23) is an interchangeable cartridge.
3. The toothbrush (11) as claimed in claim 1, wherein the normally closed
valve (33, 35) includes a stopper (33) and a rigid arm (35) whereby
25 pressing the flexibly resilient wall portion of the elongated cartridge (23) will bring the flexibly resilient wall portion into a contact with the rigid arm (35) and thereby pushing the stopper (33) backwardly out of the way.
4. The toothbrush (11) as claimed in claim 3, wherein the stopper (33) is in
an L-shaped having a base and an upstanding portion and the rigid arm
30 (35) which is secured thereto extends from the upstanding portion of the stopper (33).
5. The toothbrush (11) as claimed in claim 1, wherein the brush head (13)
further having an externally threaded spout (21) at one end of the body

and the elongated cartridge (23) further having an inwardly extending threaded sleeve (31) at both ends, whereby rotating the brush head (13) relatively to one end of the elongated cartridge (23) will thus engaging the elongated cartridge (23) firmly to the brush head (13).

5

6. The toothbrush (11) as claimed in claim 5, wherein the valve (33, 35) is normally bears against the end of the threaded sleeve (31) at both ends of the elongated cartridge (23).

10 7. The toothbrush (11) as claimed in any one of the preceding claims, wherein the elongated cartridge (23) further having a pair of central compartments which is a combination of toothpaste segment (27) and water segment (29).

15 8. The toothbrush (11) as claimed in any one of the preceding claims, wherein the toothpaste segment (27) and the water segment (29) are separated by a separator (25) as an intermediate partition.

20 9. The toothbrush (11) as claimed in any one of the preceding claims, whereby the elongated cartridge (23) when connected to the brush head (13) constitutes as a handle for manipulating the brush head (13).

25

ABSTRACT

5

A TOOTHBRUSH

The present invention relates generally to a disposable toothbrush. There is a known disposable toothbrush comprises of a brush head and a hollow handle where the hollow handle further contains toothpaste and mouthwash. However, the hollow handle remains opened once used and sometimes the material is unfinished, leading to wastage. The present invention discloses a disposable toothbrush (11) comprising of a brush head (13) and an elongated cartridge (23). The brush head (13) has a plurality of bristles (17) and multiple openings (19) between the bristles (17). The elongated cartridge (23) has a pair of central compartments which contain toothpaste and water. The toothbrush (11) comprises a passageway (15) to connect the elongated cartridge (23) with the openings (19). The elongated cartridge includes a normally closed valve (33, 35) within it to close the passageway (15) and also to control the dispensing of toothpaste and water.

(Figure 2)

1/1

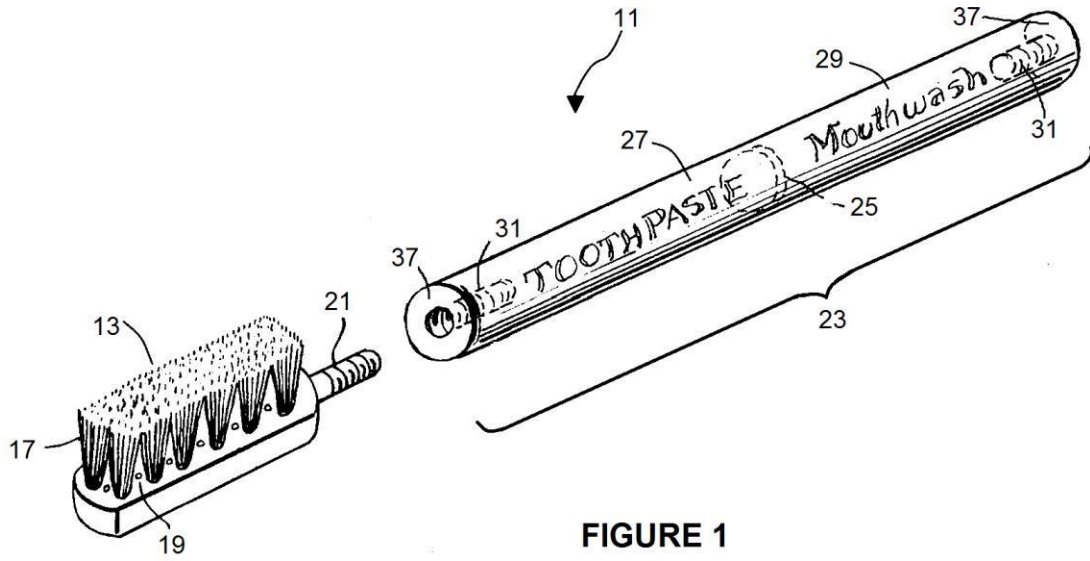


FIGURE 1

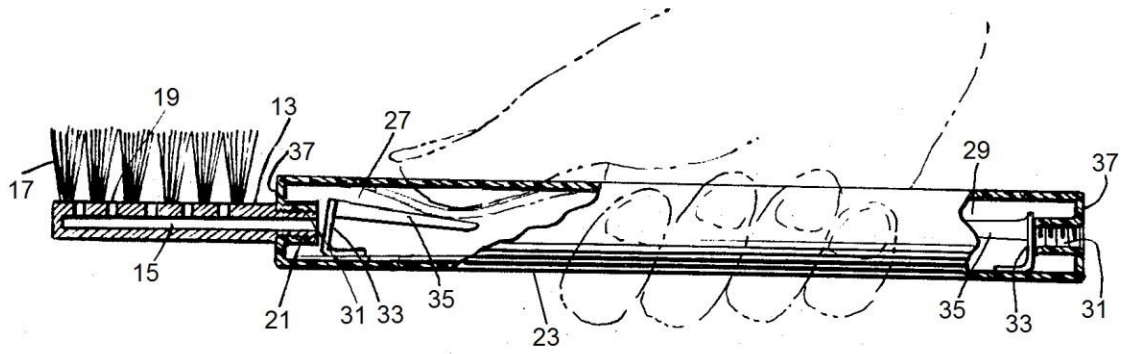


FIGURE 2

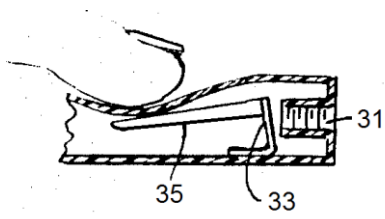


FIGURE 3

DISCLAIMER

We make every effort to ensure the information provided are accurate at the time of publishing this guide. We shall not be held liable for any actions taken based on the view expressed or information provided in this guide. This guide may not, in whole or part be copied, reproduced or translated for commercial purposes in any forms without prior permission.

©All rights reserved, Intellectual Property Corporation of Malaysia (MyIPO) 2024